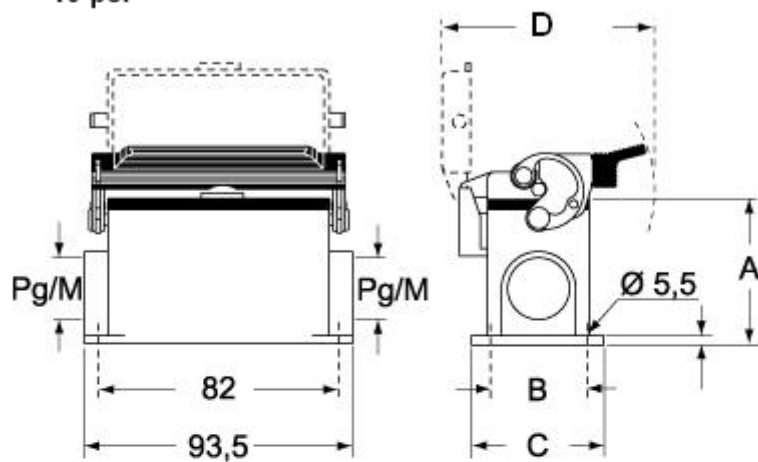


**CHP LS - CAP LS MHP LS - MAP LS**

10-pol



| Type            | A  | B  | C  | D  |
|-----------------|----|----|----|----|
| CHP LS / MHP LS | 53 | 40 | 52 | 97 |
| CAP LS / MAP LS | 74 | 45 | 57 | 97 |

Dimensions in mm. Dimensions shown are not binding and may be changed without notice.