

Part number

# MHP 32 LS240



Surface mounting housing, C-TYPE series, with 1 lever, M40 x 2 cable entry, size "77.62", with metal cover

#### Product description

|                      |                          |
|----------------------|--------------------------|
| <b>Product type</b>  | surface mounting housing |
| <b>Series</b>        | C-TYPE                   |
| <b>Closing type</b>  | with 1 lever             |
| <b>Size</b>          | size "77.62"             |
| <b>Cable entry</b>   | M40 x 2                  |
| <b>Specification</b> | with metal cover         |

#### Technical data

|                                |      |
|--------------------------------|------|
| <b>IP degree of protection</b> | IP65 |
|--------------------------------|------|

#### Further technical details

|   |                  |
|---|------------------|
| <b>Weight</b>                                 | 866,00 g         |
| <b>Operating temperature range (min, max)</b> | -40 °C...+125 °C |

#### Approvals / Standards

|                       |            |
|-----------------------|------------|
| <b>Certifications</b> | DNV-GL, BV |
|-----------------------|------------|

#### General ordering information

|                   |               |
|-------------------|---------------|
| <b>EAN13 code</b> | 8015747054997 |
|-------------------|---------------|

#### Packaging Information

|                                  |                      |
|----------------------------------|----------------------|
| <b>Packaging length</b>          | 290,00 mm            |
| <b>Packaging height</b>          | 140,00 mm            |
| <b>Packaging width</b>           | 215,00 mm            |
| <b>Packaging weight</b>          | 3,67 kg              |
| <b>Packaging volume</b>          | 8,73 dm <sup>3</sup> |
| <b>Packaging description</b>     | Carton box           |
| <b>Packaging quantity</b>        | 4 Pcs                |
| <b>Packaging EAN code</b>        | 8015747211147        |
| <b>Sub-packaging weight</b>      | 0,92 kg              |
| <b>Sub-packaging description</b> | Plastic packaging    |
| <b>Sub-packaging quantity</b>    | 1 Pcs                |
| <b>Sub-packaging EAN barcode</b> | 8015747099820        |

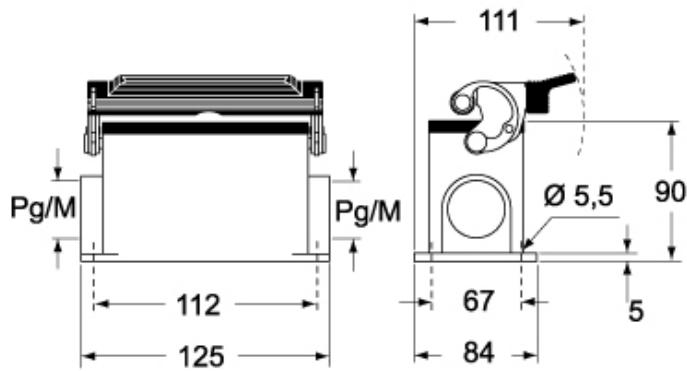
Part number

# MHP 32 LS240

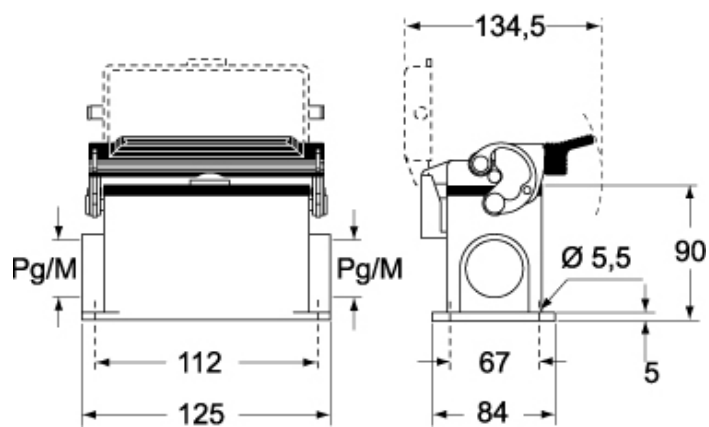


Catalogue drawings

## CHP L CAP L - MHP L MAP L



## CHP LS CAP LS - MHP LS MAP LS



## Notes

Dimensions shown in mm are not binding and may be changed without notice.