

Part number

MHP 10 LS220



Surface mounting housing, C-TYPE series, with 1 lever, M20 x 2 cable entry, size "57.27", with metal cover

Product description

| | |
|----------------------|--------------------------|
| Product type | surface mounting housing |
| Series | C-TYPE |
| Closing type | with 1 lever |
| Size | size "57.27" |
| Cable entry | M20 x 2 |
| Specification | with metal cover |

Technical data

| | |
|--------------------------------|------|
| IP degree of protection | IP65 |
|--------------------------------|------|

Further technical details

| | |
|---|------------------|
| Weight | 293,00 g |
| Operating temperature range (min, max) | -40 °C...+125 °C |

Approvals / Standards

| | |
|-----------------------|------------|
| Certifications | DNV-GL, BV |
|-----------------------|------------|

General ordering information

| | |
|-------------------|---------------|
| EAN13 code | 8015747054300 |
|-------------------|---------------|

Packaging Information

| | |
|----------------------------------|-----------------------|
| Packaging length | 475,00 mm |
| Packaging height | 170,00 mm |
| Packaging width | 150,00 mm |
| Packaging weight | 3,18 kg |
| Packaging volume | 12,11 dm ³ |
| Packaging description | Carton box |
| Packaging quantity | 10 Pcs |
| Packaging EAN code | 8015747054317 |
| Sub-packaging weight | 1,59 kg |
| Sub-packaging description | Plastic packaging |
| Sub-packaging quantity | 5 Pcs |
| Sub-packaging EAN barcode | 8015747054324 |

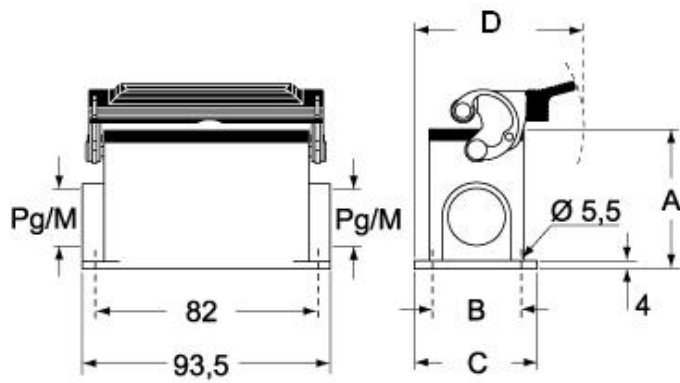
Part number

MHP 10 LS220

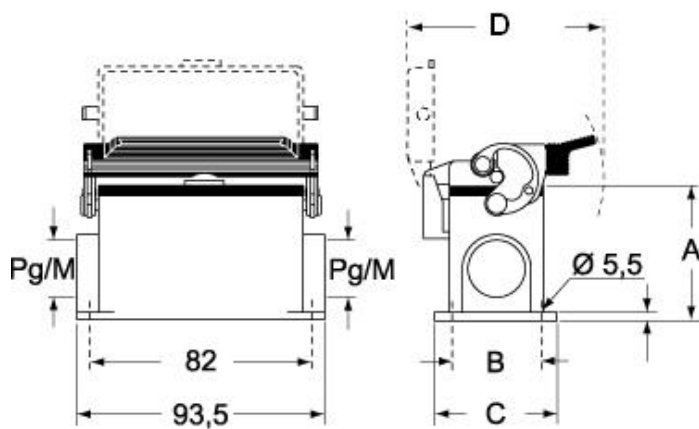


Catalogue drawings

CHP L - CAP L MHP L - MAP L



CHP LS - CAP LS MHP LS - MAP LS



Notes

Dimensions shown in mm are not binding and may be changed without notice.