

Part number

CHI 06 LCP



Bulkhead mounting housing, C-TYPE series, with 2 pegs, size "44.27", with plastic cover

Product description

Product type	Bulkhead mounting housing
Series	C-TYPE
Closing type	with 2 pegs
Size	size "44.27"
Specification	with plastic cover

Technical data

IP degree of protection	IP65
--------------------------------	------

Further technical details

Weight	93,00 g
Operating temperature range (min, max)	-40 °C...+125 °C

Approvals / Standards

Certifications	DNV-GL, BV
-----------------------	------------

General ordering information

EAN13 code	8015747017190
-------------------	---------------

Packaging Information

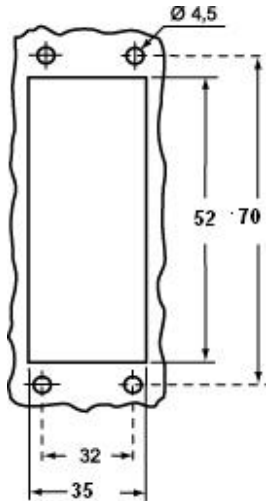
Packaging length	175,00 mm
Packaging height	100,00 mm
Packaging width	330,00 mm
Packaging weight	1,86 kg
Packaging volume	5,78 dm ³
Packaging description	Carton box
Packaging quantity	20 Pcs
Packaging EAN code	8015747017206
Sub-packaging weight	0,47 kg
Sub-packaging description	Plastic packaging
Sub-packaging quantity	5 Pcs
Sub-packaging EAN barcode	8015747017213

Part number

CHI 06 LCP

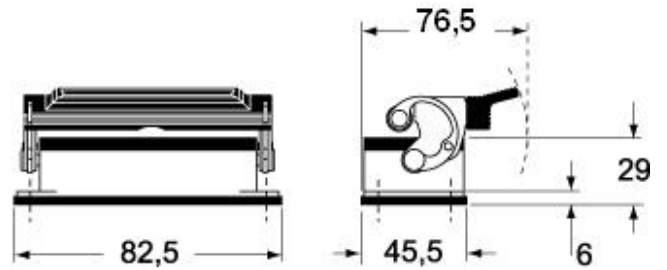


Catalogue drawings

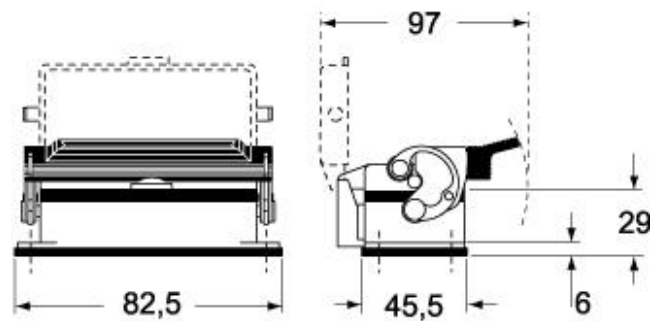


Catalogue drawings

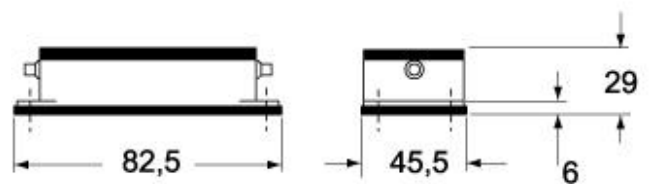
CHI L



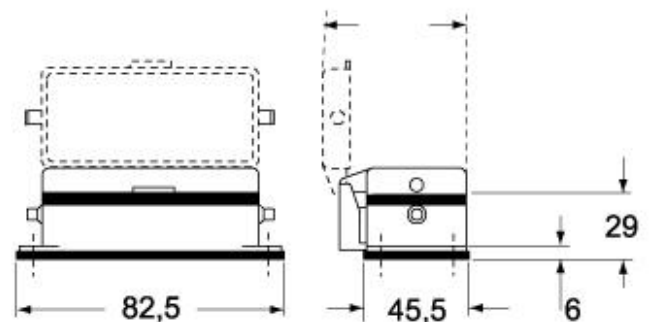
CHI LS



CHI LC



CHI LCS/LCP



Notes

Dimensions shown in mm are not binding and may be changed without notice.
