

Part number

# CX 01 JM



## Brief description:

male insert, housing for RJ45 connectors, (4 poles (10A max - 250V)), 4kV, 3, plug inserts for 1 RJ45 male connector and for 4 10A (CDM) male contacts, 2 modules, modular units series MIXO

Product description	
Model	male insert
Version	housing for RJ45 connectors
Product type	plug inserts for 1 RJ45 male connector and for 4 10A (CDM) male contacts
Family	MIXO series, customizable inserts
Size	2 modules
Auxiliary poles	4 poles (10A max - 250V)
Technical data	
Rated impulse withstand voltage	4kV
Pollution degree	3
Operating temperature range (min, max)	-40°C ... +120°C
IP degree of protection	IP20 without enclosure, IP65/IP66/IP68/IP69 with enclosure
Further technical details	
Characteristics according to EN 61984	10A 250V 4kV 3
Insulation resistance	≥ 10 GΩ
Rated voltage according to UL/CSA	600V
UL 94 flammability rating	V-0
Weight	13,00 g

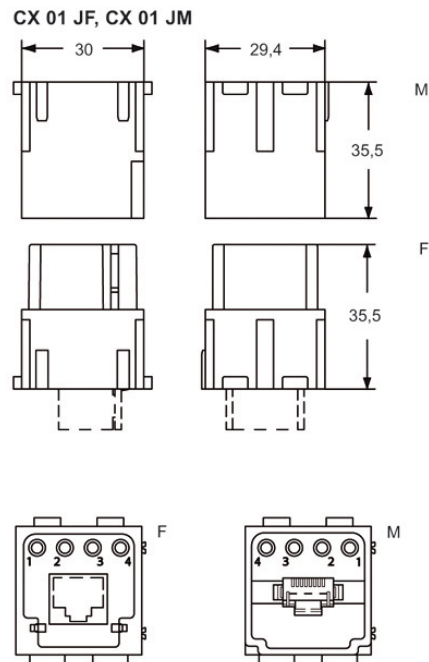
Approvals / Standards	
Reference standard	EN 61984:2009-06
Quality mark	DNV-GL, EAC
Conformity	CQC, CE
General ordering information	
EAN13 code	8015747166010
Tariff number	85369095
Packaging Information	
Packaging length	145,00 mm
Packaging height	105,00 mm
Packaging width	350,00 mm
Packaging weight	2,00 kg
Packaging volume	5,33 dm <sup>3</sup>
Packaging description	Carton box
Packaging quantity	60 Pcs
Packaging EAN code	8015747221030
Sub-packaging length	35,00 mm
Sub-packaging height	40,00 mm
Sub-packaging width	155,00 mm
Sub-packaging weight	0,17 kg
Sub-packaging volume	0,22 dm <sup>3</sup>
Sub-packaging description	Carton tray
Sub-packaging quantity	5 Pcs
Sub-packaging EAN barcode	8015747166058

Part number

# CX 01 JM



Catalogue drawings



## Notes

CX 01 J inserts:

- characteristics according to EN 61984:  
4 Auxiliary contacts: (10A 250V 4kV 3)

the modular inserts must be installed in suitable frames which in turn are installed in traditional housings or COB panel support