

Data Sheet

716906

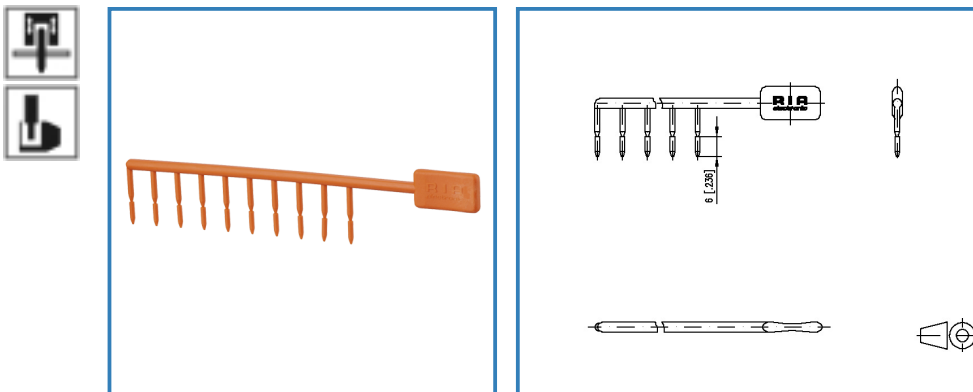
Page 1/4

P/N

716906

2018/02/01

Illustration



see enlarged drawing at the end of the document

Product specification

- The coding pin is inserted into the mating area of the female contact (plug-in). The contact pin should be removed from the respective position of the header.
- This method of coding is associated with a circuit loss
- Group of 10 orange coding pins

© 2017 METZ CONNECT - Technische Änderungen vorbehalten! Subject to modifications! Sous réserve de modifications techniques!



Data Sheet

716906

Page 2/4

P/N

716906

2018/02/01

Technical Data

Material

insulating material	PA66
Color	color orange



Data Sheet

716906

Page 3/4

P/N

716906

2018/02/01

Accessories to

P/N

-5

310091	RP015xxWBWC Typ 009
310092 (on request)	RP019xxWBWC Typ 009
310491	RP015xxWBLC Typ 049
310492	RP019xxWBLC Typ 049



Data Sheet

716906

Page 4/4

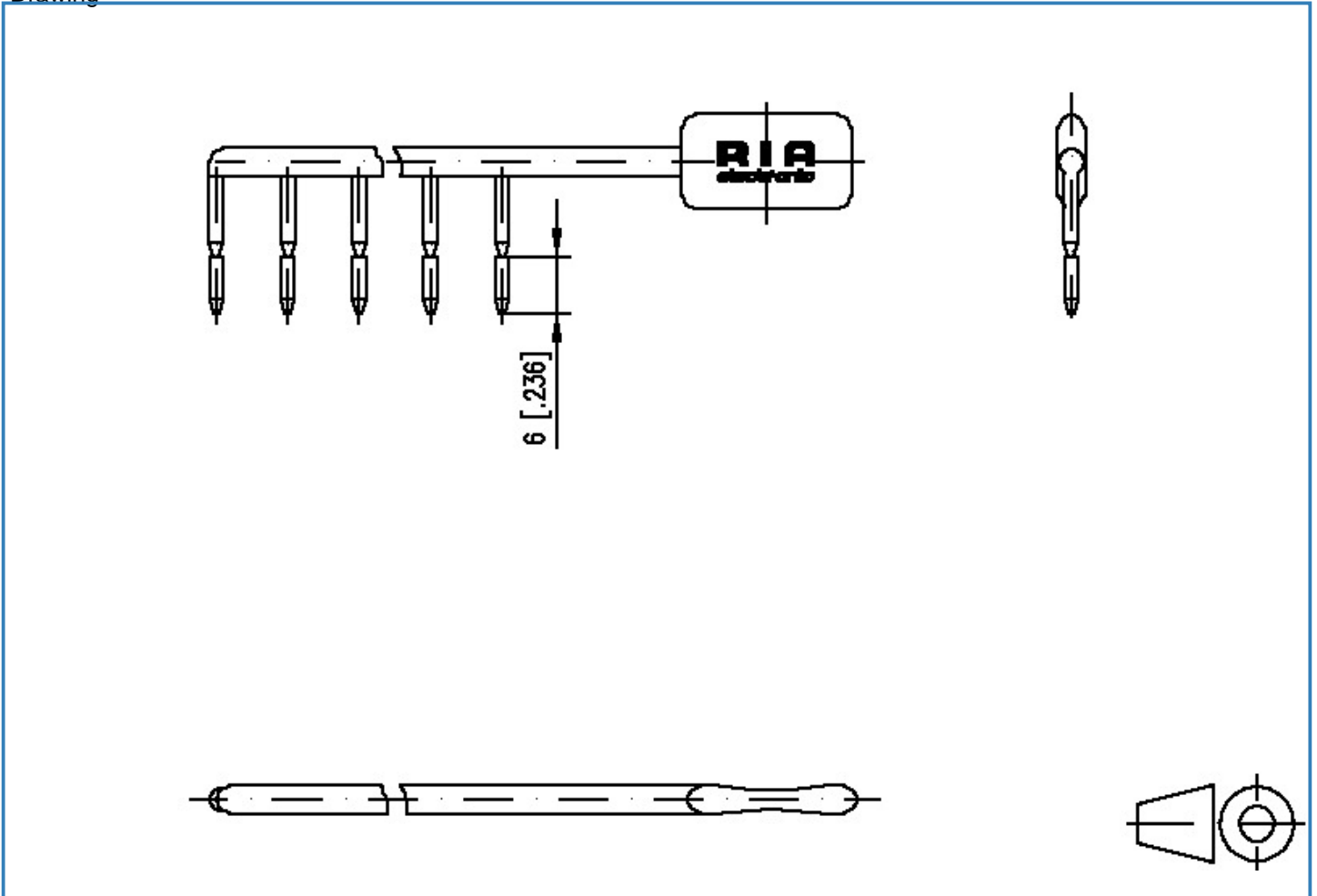
P/N

716906

2018/02/01

Illustration

Drawing



© 2017 METZ CONNECT - Technische Änderungen vorbehalten! Subject to modifications! Sous réserve de modifications techniques!

