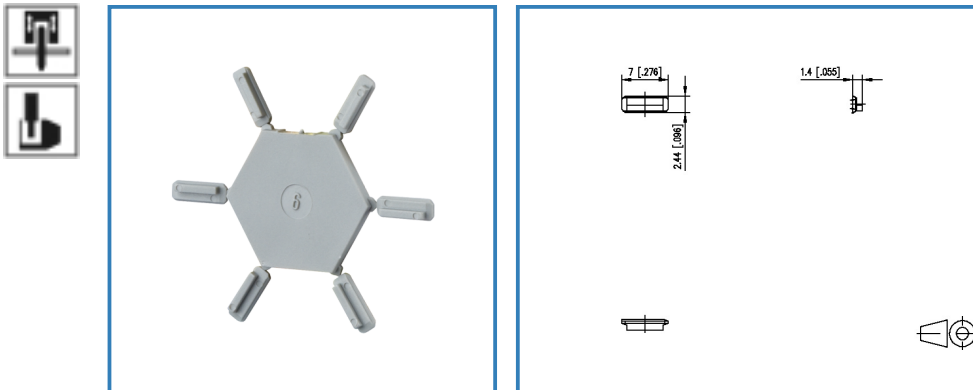


# Data Sheet

## 720243

Page 1/4  
P/N  
720243-02-4  
2018/02/01

### Illustration



see enlarged drawing at the end of the document

### Product specification

- The coding pins are inserted into the slots provided in the terminal block and respective header
- This method of coding does not result in any circuit loss. Please refer to the drawing below for further details.
- Variants: 720243-01-3 with 6 coding pins orange left; 70243-02-3 with 6 coding pins orange right, 720243-01-4 6 with 6 coding pins gray left, 720243-02-4 with 6 coding pins gray right



# Data Sheet

## 720243

Page 2/4

P/N

720243-02-4

2018/02/01

### Technical Data

#### Material

insulating material	PA66
Color	gray



# Data Sheet

## 720243

Page 3/4

P/N

720243-02-4

2018/02/01

### Accessories to

P/N	-5
311691	RP013xxVBWN Typ 169
311811 (on request)	PT013xxVBBN Typ 181
311821	PT113xxHBBN Typ 182
311822 (on request)	PT11JxxHBBN Typ 182
311831	PT113xxVBBN Typ 183
311832 (on request)	PT11JxxVBBN Typ 183

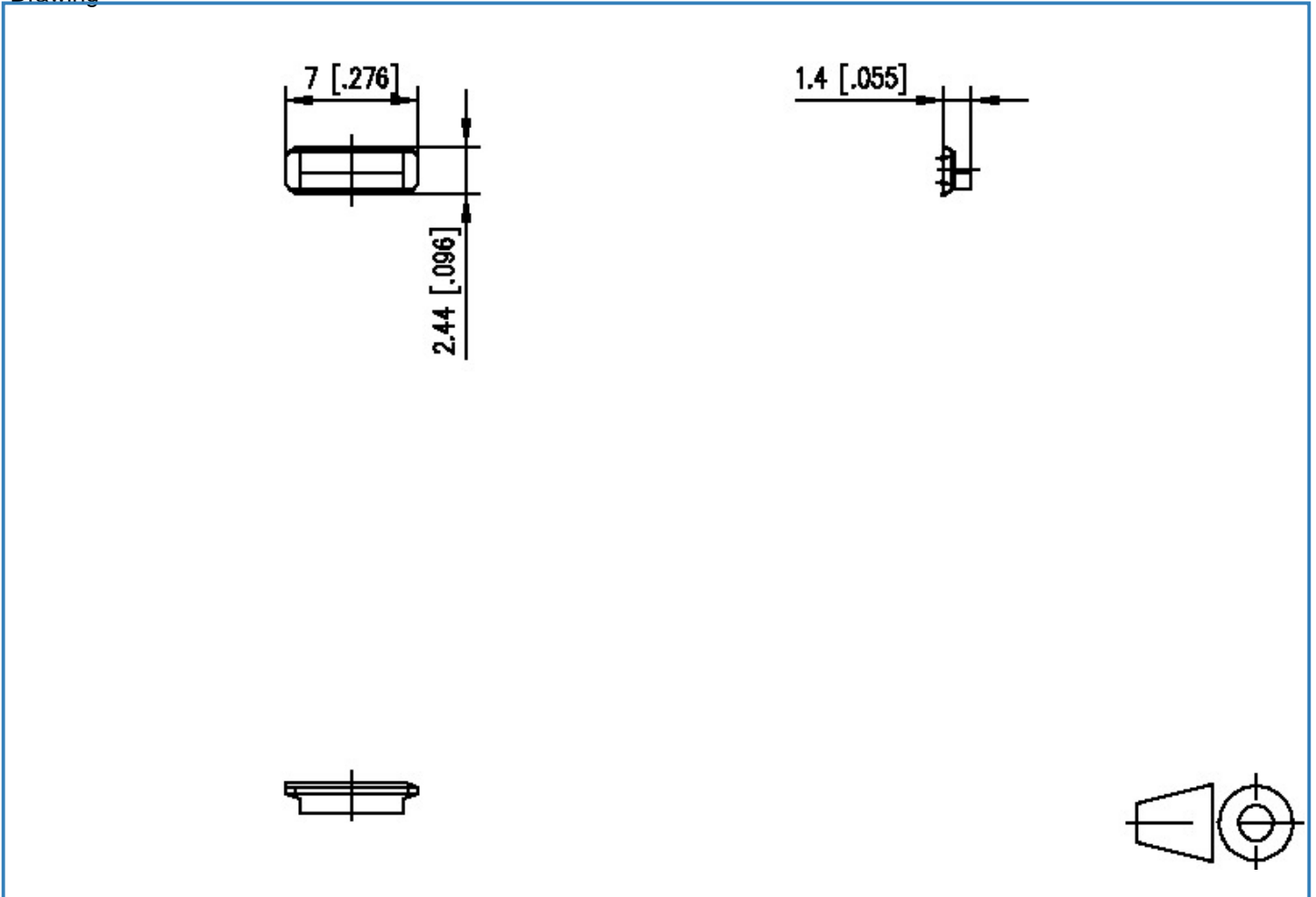


**Data Sheet**  
**720243**

Page 4/4  
P/N  
720243-02-4  
2018/02/01

**Illustration**

Drawing



© 2017 METZ CONNECT - Technische Änderungen vorbehalten! Subject to modifications! Sous réserve de modifications techniques!

