

Data Sheet

360410

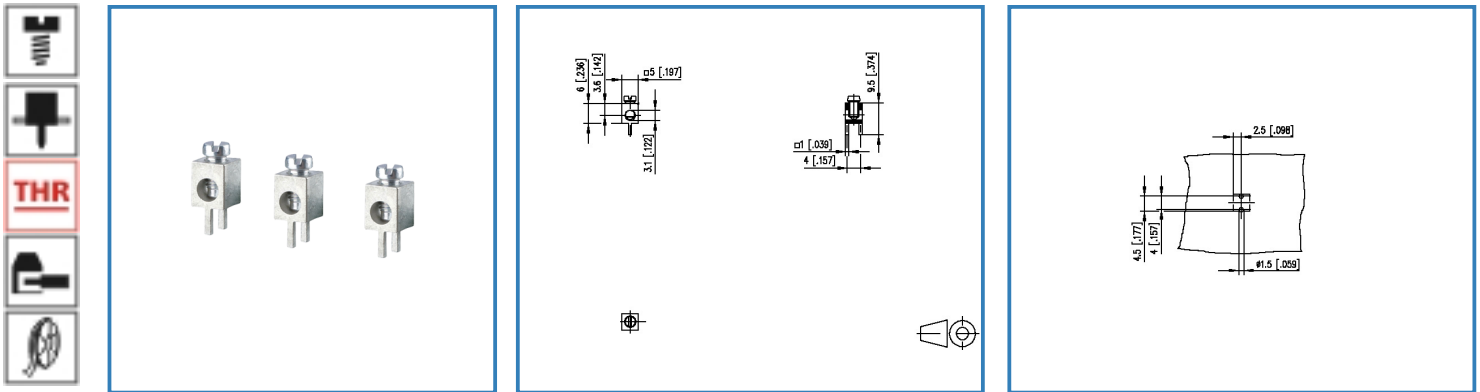
Page 1/4

P/N

360410

2018/02/01

Illustration



see enlarged drawing at the end of the document

Product specification

- screw type terminal block, THR solderable, double solder pins
- direction of connection 90°
- color metallike
- Tape & Reel packaging
- open construction, screw brought down by hand (transport safety)

© 2017 METZ CONNECT - Technische Änderungen vorbehalten! Subject to modifications! Sous réserve de modifications techniques!



Data Sheet

360410

Technical Data

General Data

Tightening torque SEV	0.5 Nm
Tightening torque UL	4.4 lb-in
Solder pin length	3.5 mm
min. number of poles	1
max. number of poles	1
protection category	IP 00

Connection data

Rated wiring solid wire	0.05 - 2.5 mm ² / AWG 30 - 12
Rated wiring stranded wire	0.05 - 2.5 mm ² / AWG 30 - 12

Approvals

 A / AWG	15 / 30 - 12
--	--------------

Material

terminal body material	CuZn
terminal body surface	Ni + Sn
screw surface	Zn Cr(VI)-frei/free
screw thread	M3

General

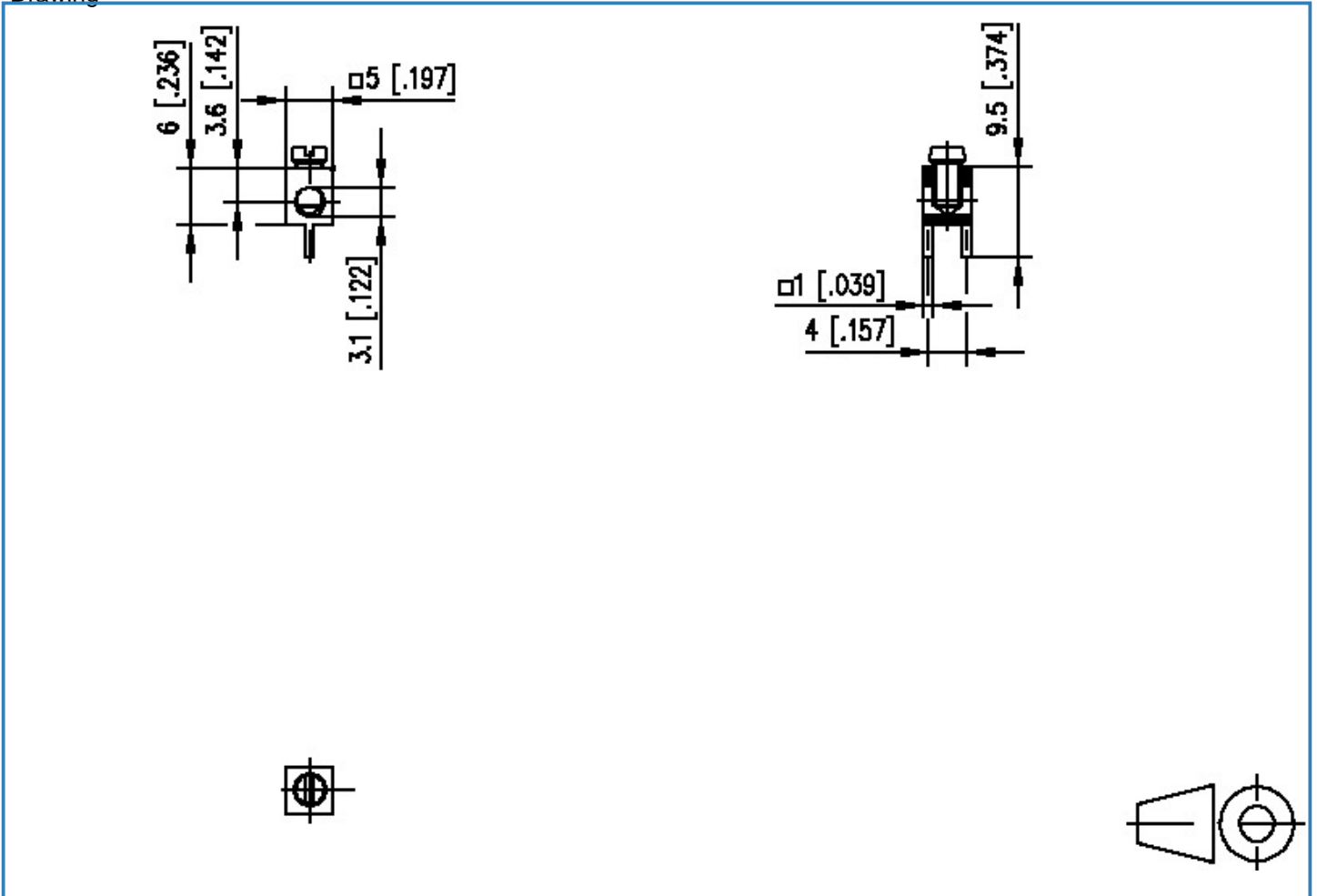
solderability	Acc. to IPC/JEDEC J-STD-020D-MSL 1
Tolerance	ISO 2768 -mH



**Data Sheet
360410**

Illustration

Drawing



© 2017 METZ CONNECT - Technische Änderungen vorbehalten! Subject to modifications! Sous réserve de modifications techniques!



Data Sheet

360410

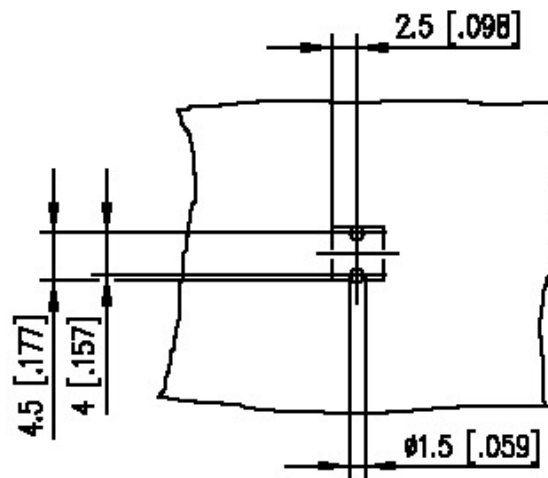
Page 4/4

P/N

360410

2018/02/01

PCB Layout



© 2017 METZ CONNECT - Technische Änderungen vorbehalten! Subject to modifications! Sous réserve de modifications techniques!

