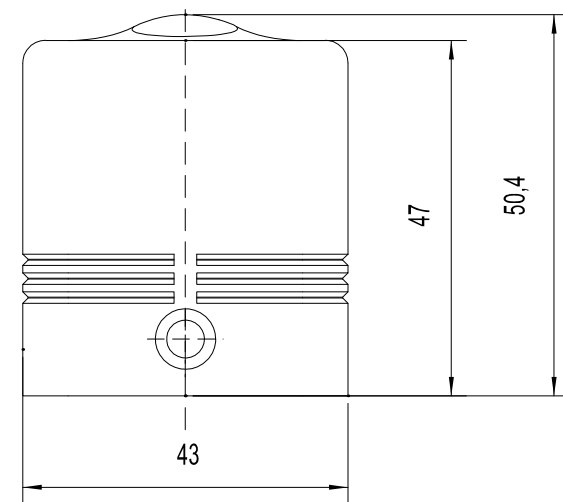
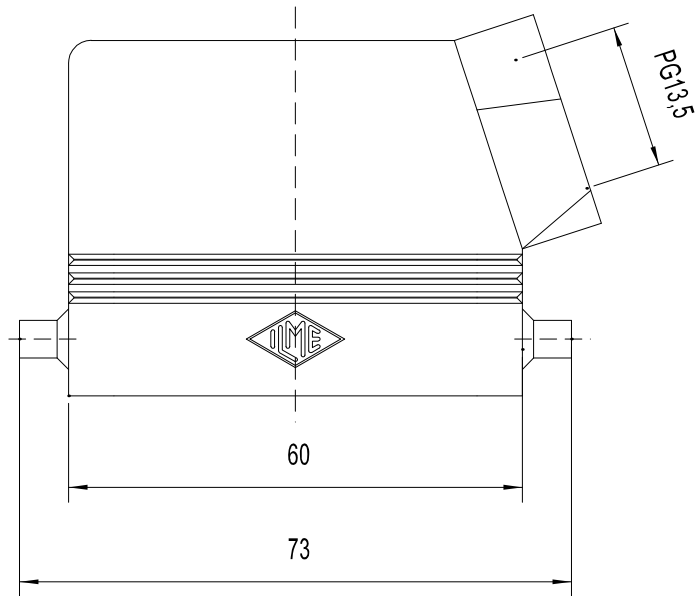



Diritti riservati All rights reserved



Date	15.12.2016	MHOR 06 L20	Scale	
Sign.	C. Mainini	hood side entry PG13,5 - 180°	1:1	