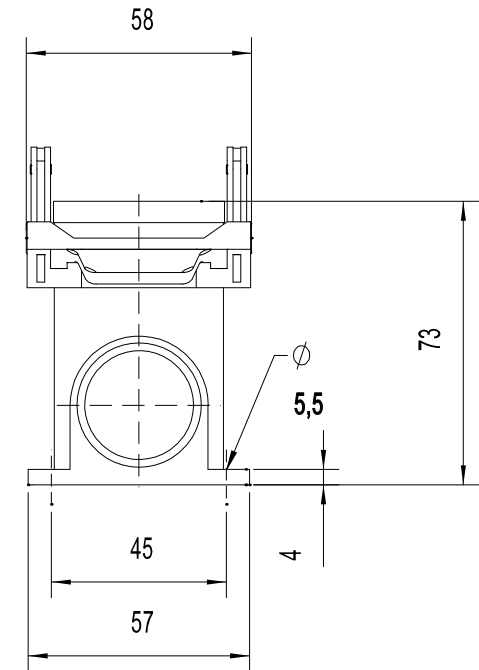
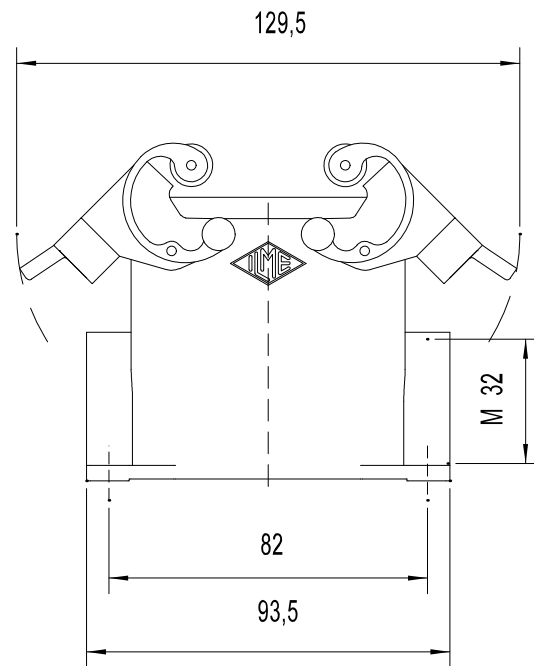


Diritti riservati All rights reserved



Date	15.12.2016	MAPR 10.32	Scale
Sign.	C. Mainini	surface mounting h. 2 lev. M32 - 180°	1:2

