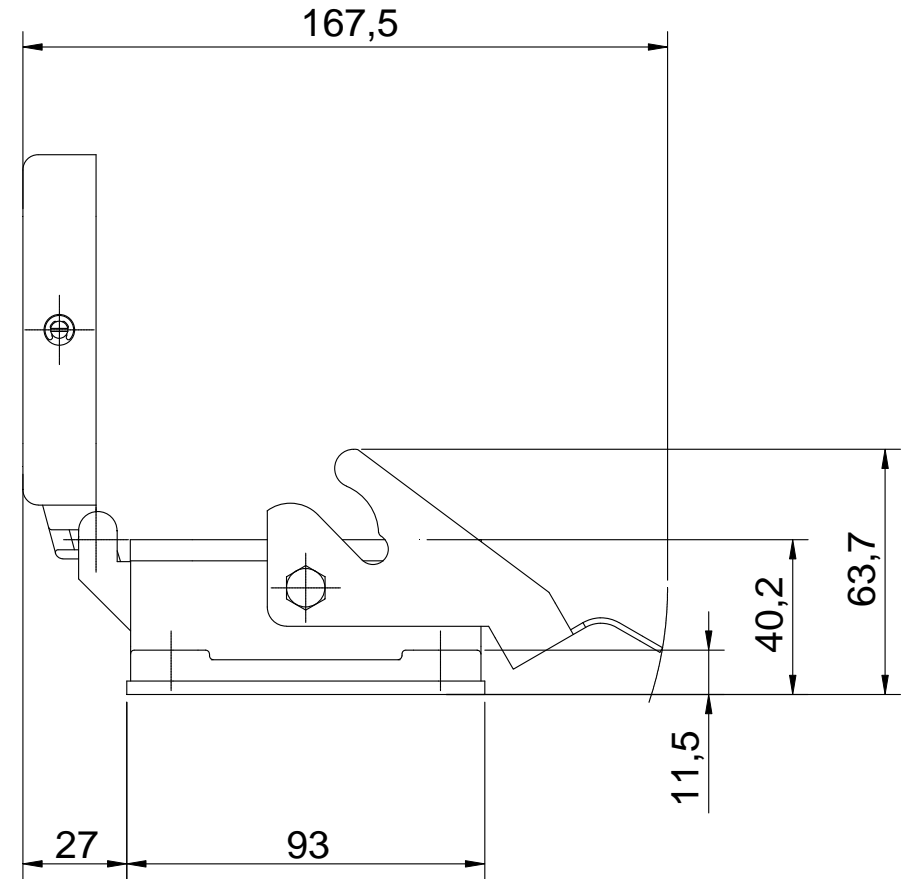
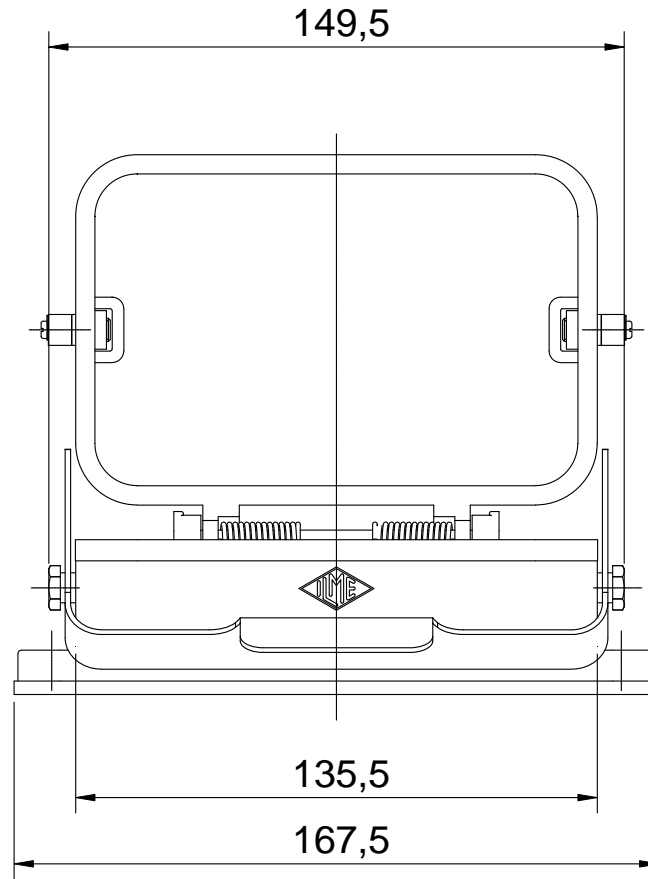
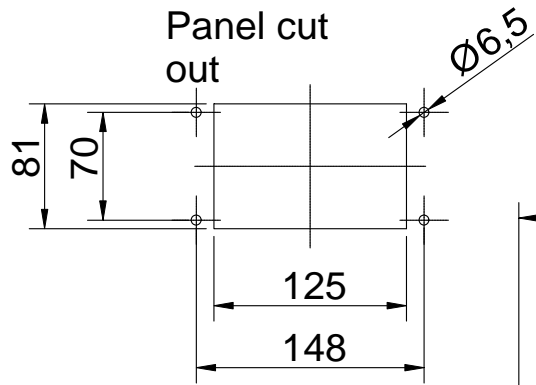


Diritti riservati All rights reserved



Date 14.12.2006	CHIR 48 LS		Scale
Sign.	bulkhead h. 1 lev.+cover 180°C		1:2