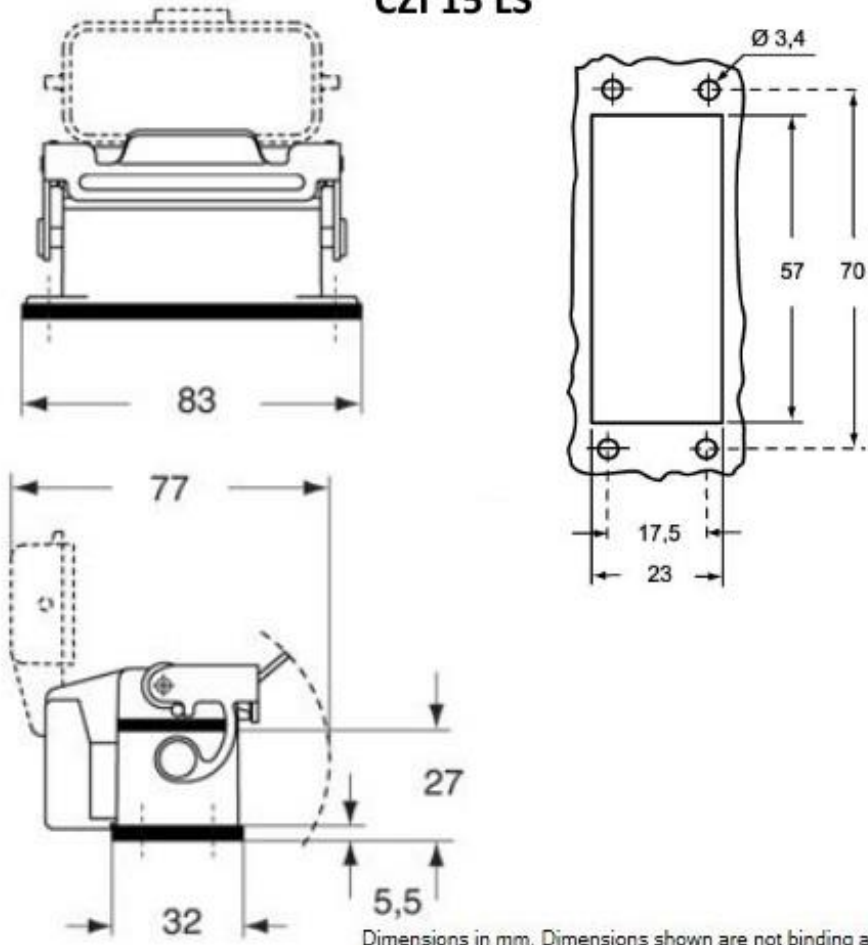


CZI 15 LS



Dimensions in mm. Dimensions shown are not binding and may be changed without notice