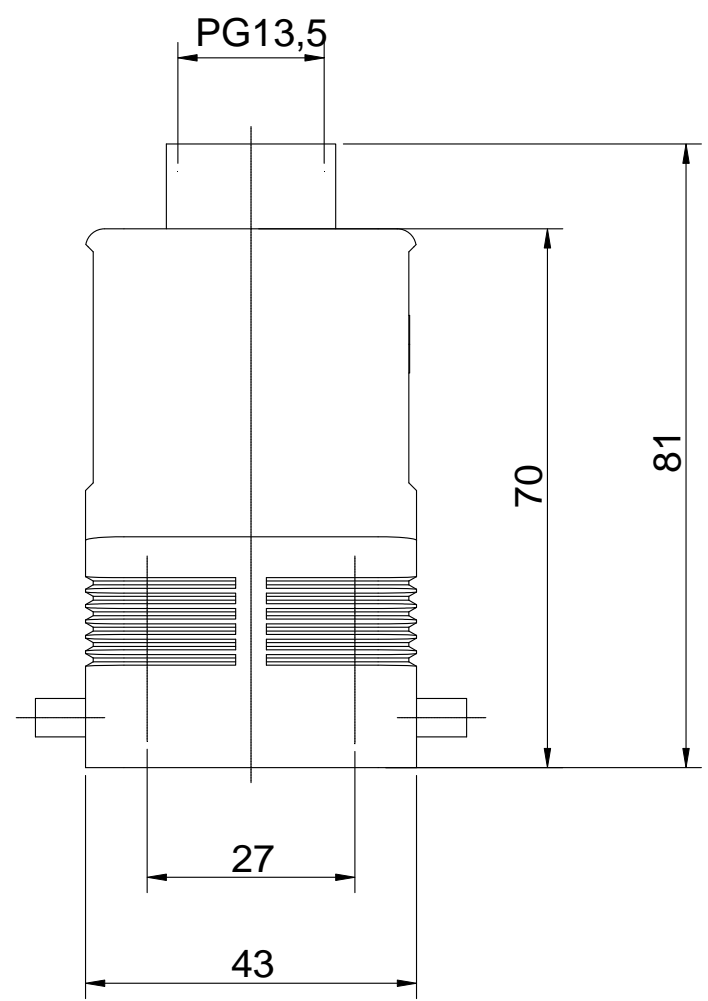
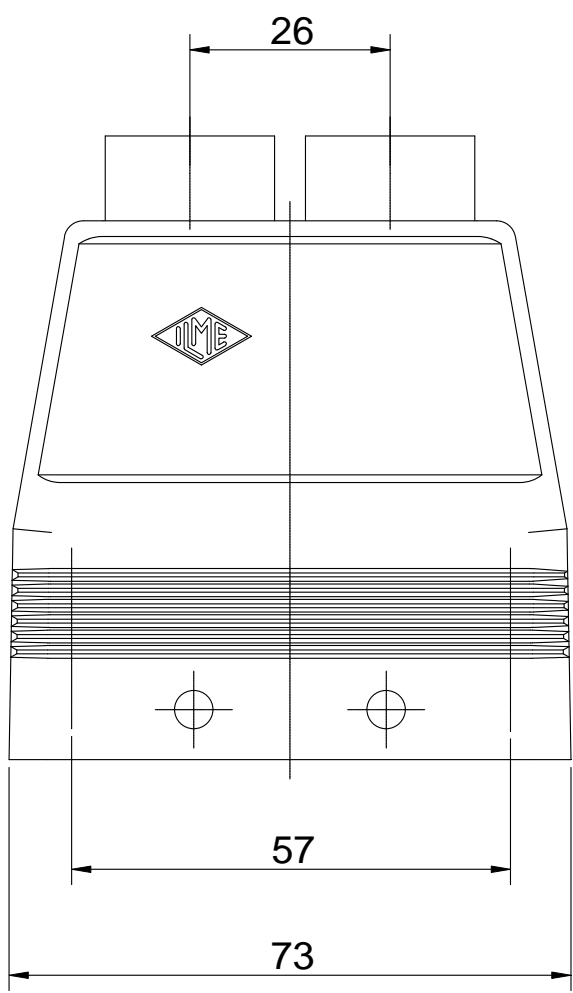


Diritti riservati All rights reserved



Date 04.01.2007	CAV 10.213		Scale
Sign.	hood top entry 2xPG13,5		1:1